

THE VALET SPOT

50 KEY BOX WITH STAND SET UP GUIDE

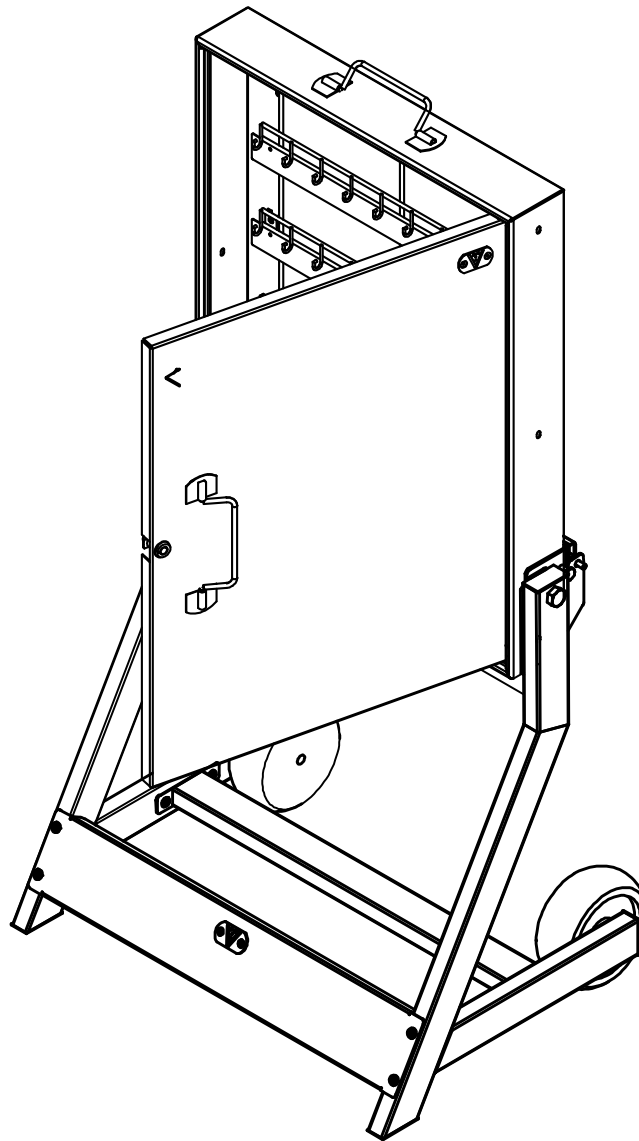
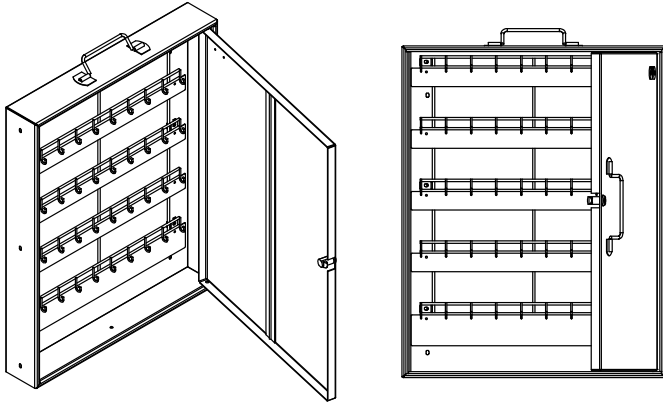


Table of contents:
- Part List
- Set Up Guide

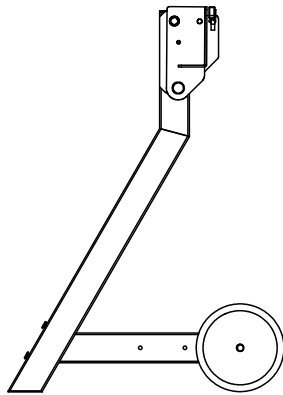
- **Read all the instructions before installing.**
- **Remove all packing materials before you start.**
- **This installation requires basic mechanical skills.**
- **Proper installation is the responsibility of the installer.**
- **Product failure due to improper installation is not covered under the warranty.**
- **Keep this instruction manual.**

Note: You may need two persons to set up this product.

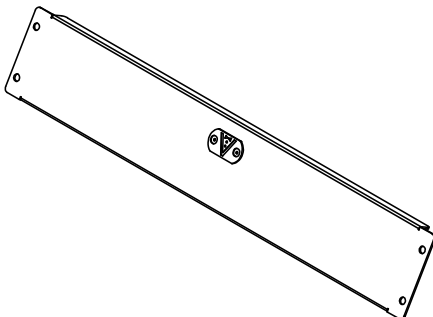
Key Box
QTY: 1



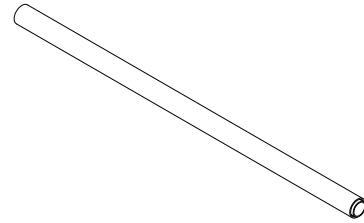
Leg
QTY: 2



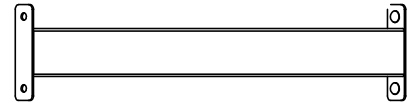
Front Plate
QTY: 1



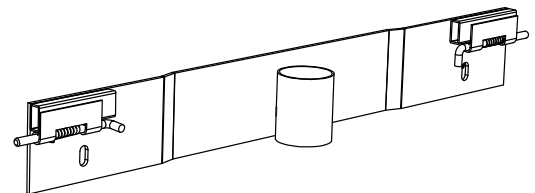
Tube
QTY: 1



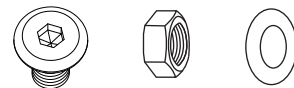
Bottom Frame
QTY: 1



Bracket SP
QTY: 1



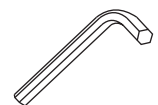
Hardware



QTY: 10 QTY: 2 QTY: 2



QTY: 1

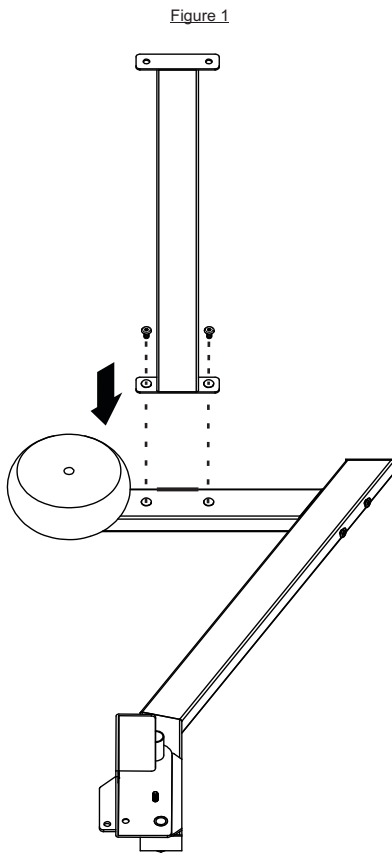


QTY: 1

Note: Parts are not to scale.

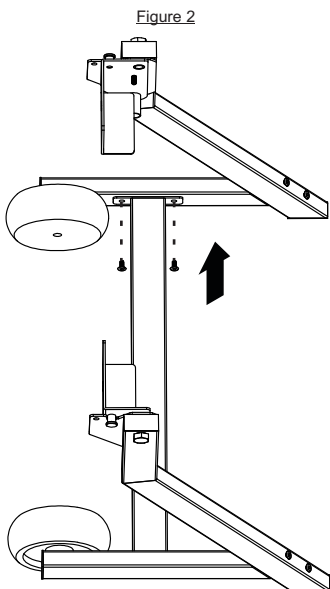
50 KEY BOX WITH STAND ASSEMBLY SET UP STEPS

STEP 1: Lay down one of the legs as shown below. Attach the bottom frame to the leg using two bolts.

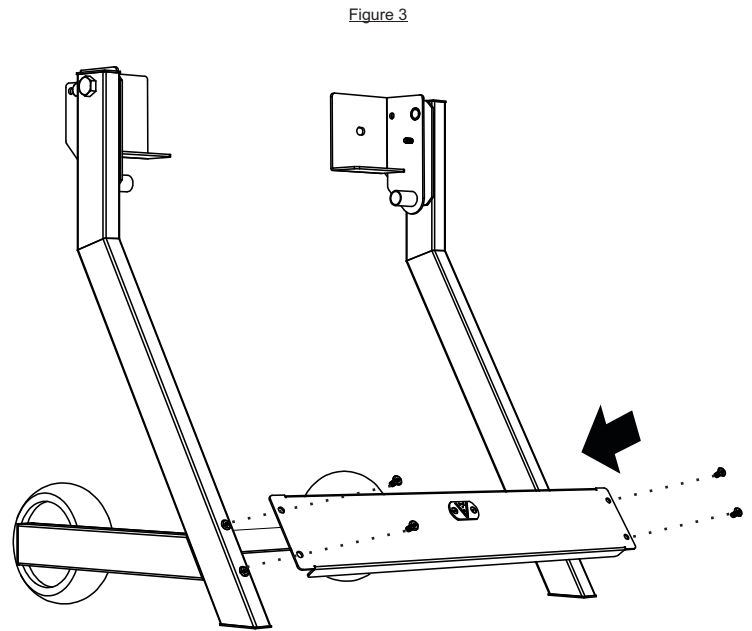


Note: Don't tight the bolts. You will do this in a further step.

STEP 2: Attach the second leg using 2 bolts as shown below.



STEP 3: Attach the front plate using four bolts as shown below.



STEP 4: Place the assembly as shown below. Then proceed to place the Key Box as shown on [Figure 5](#).

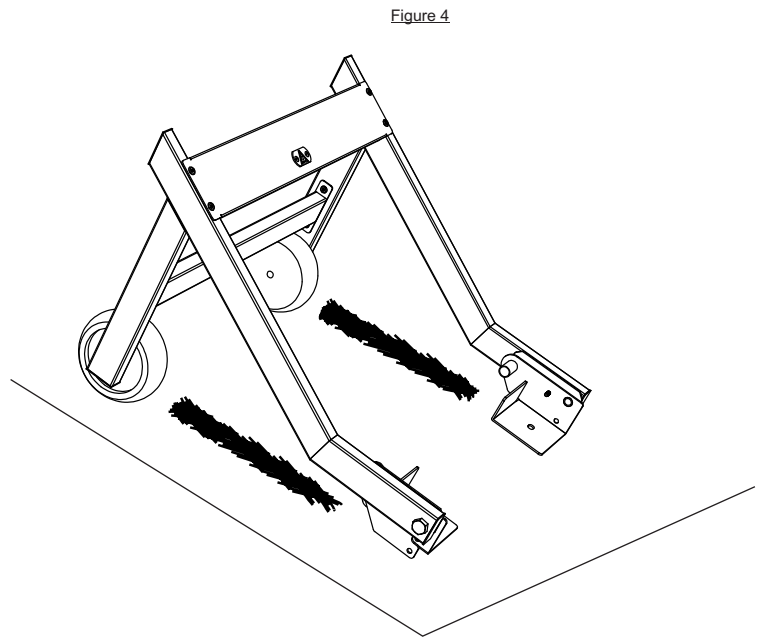
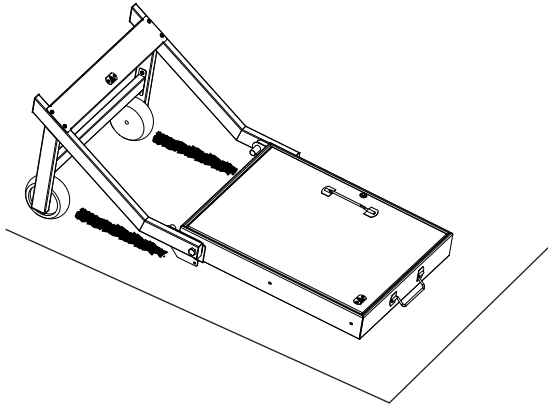
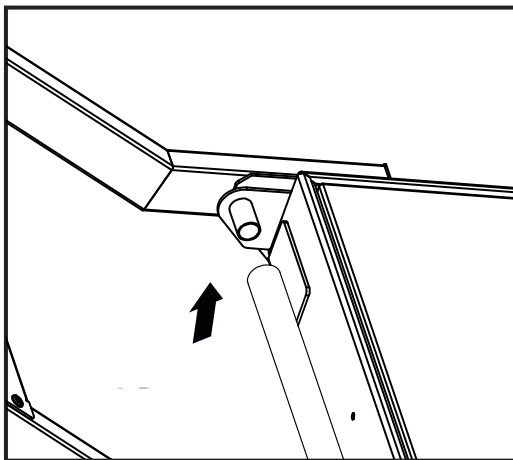


Figure 5



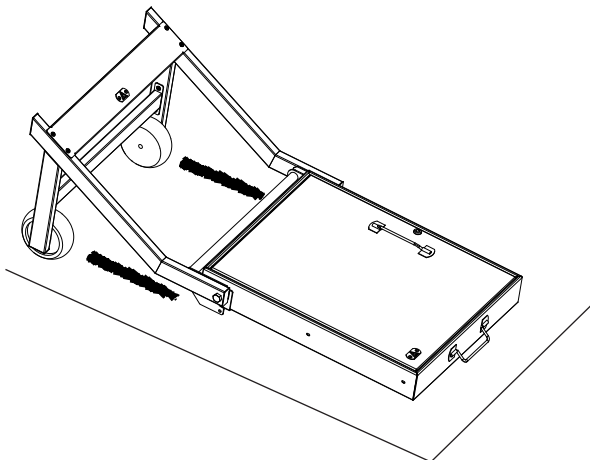
STEP 5: Place the tube as shown below

Figure 6



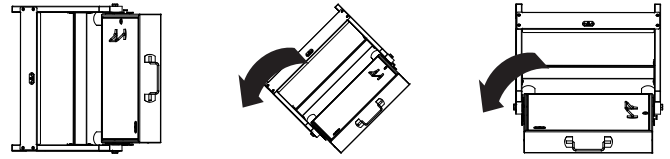
Note: Once the product looks like the figure below, you can proceed to tighten all the bolts.

Figure 7



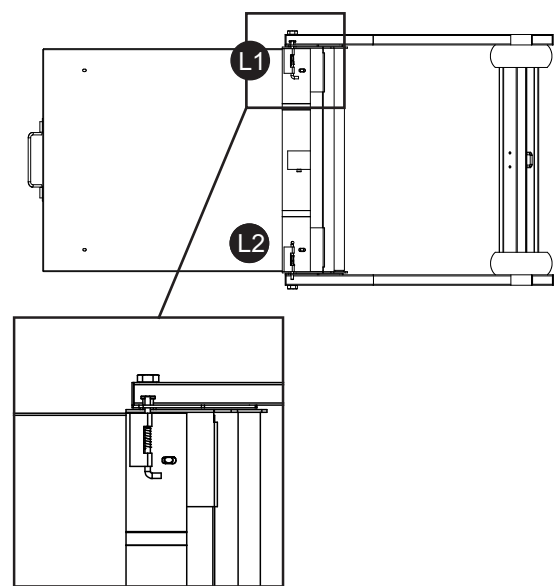
STEP 6: Carefully rotate the product as shown below.

Figure 8



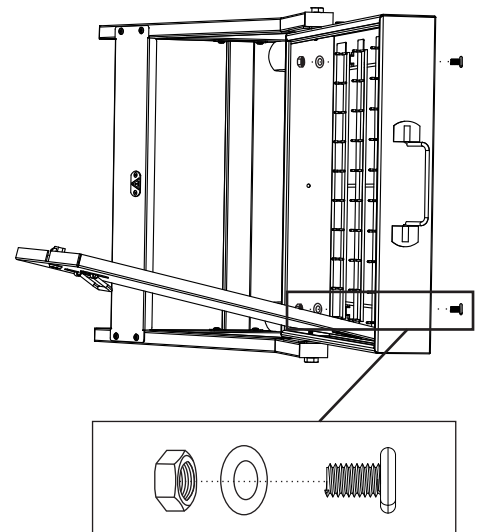
STEP 7: Place the Bracket SP using the spring latches **L1** and **L2**.

Figure 9



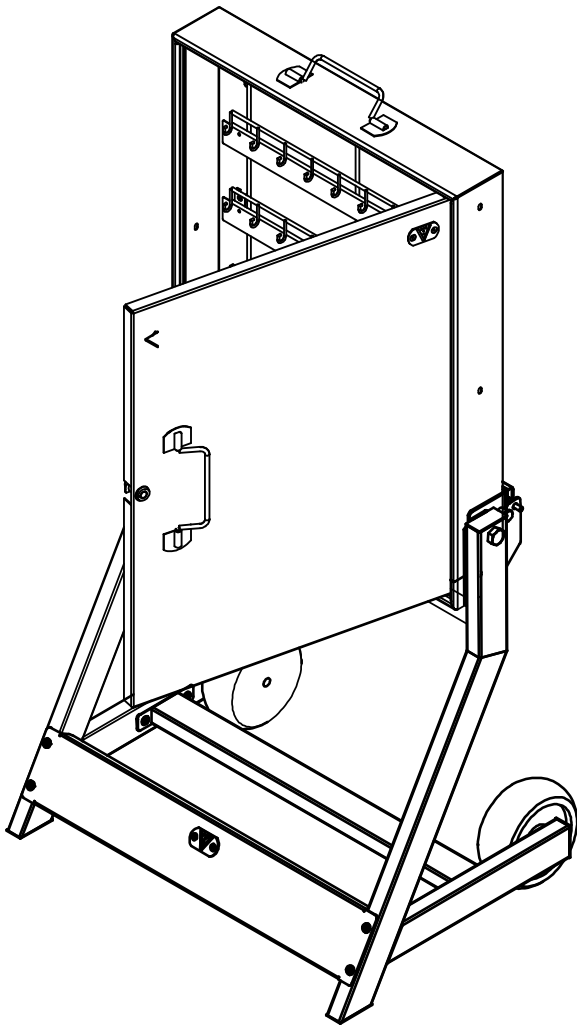
STEP 8: Open the Key Box door to attach the Key Box to the Bracket SP using the provided hardware.

Figure 10



50 KEY BOX WITH STAND ASSEMBLY SET UP STEPS

Figure 11. Full Assembly.



Note: For ease of transportation you can fold the product. First release the spring latches and then push down the Key Box. See figures 13 and 14.

Figure 12

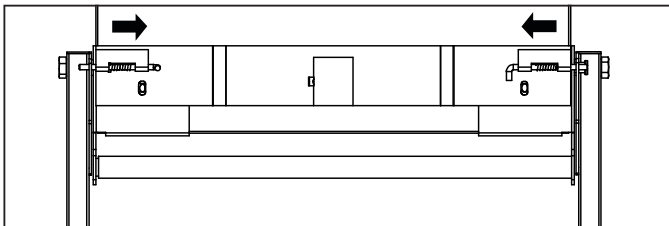


Figure 13

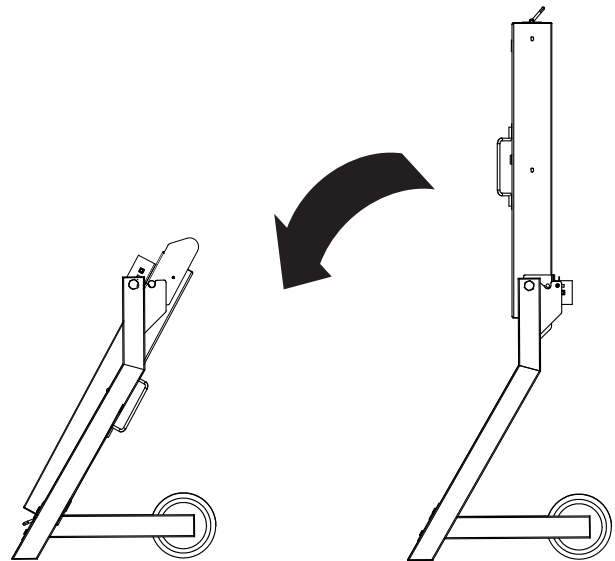
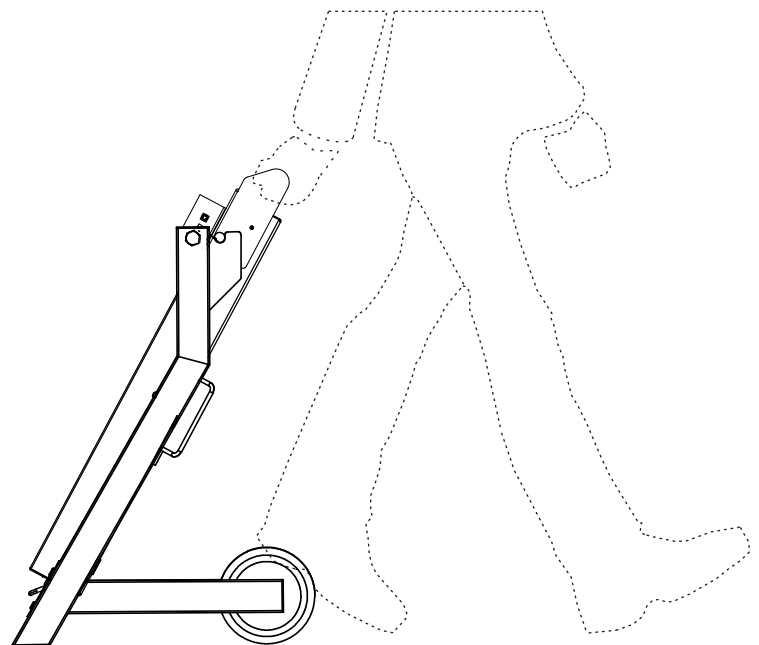


Figure 14



THE
VALET
SPOT

Contact us

Tel # 877-679-9197

Fax # 866-659-3353

E-mail: sales@thevaletspot.com

Visit us at

www.thevaletspot.com

