

Deluxe Valet Podium

Upscale Look, Enhanced Security, Electronics Ready

We increased the width of our Deluxe Valet Podium and added a counter above the working surface to give this podium a premium look. We also added a Key Drop Box to the side of the unit so that keys can be deposited quickly and securely without the need to unlock the podium. An anchor loop allows the podium to be secured, a lockable Tip Box is installed in the drawer to manage tips and a locking bar adds additional security. A grommet is installed in the working surface and base of the podium so electronics can be easily routed through the unit.



Basic Features

- Counter top with brushed stainless steel trim
- 6" wider (total width of podium is 30")
- Key drop hole with theft guard
- Electronic compatible
- Tip box installed
- Locking security bar
- Anchor loop
- 16 gauge, heavy duty sheet metal construction
- 50 Key Hooks
- Scratch-resistant textured black finish
- Staggered key hooks w/ white, screen printed numbers
- Zinc hardware
- Brushed stainless steel working surface
- Umbrella holder
- 4 Locking casters
- 2 Slam-action locks with 2 keys
- Tip slot
- Replaceable parts
- Pre-assembled
- Manufacturer's Warranty

Dimensions: 36.25" W x 24" D x 49" H

Weight: 140 lbs.

Upgrade Options

Door Lock

Dual key/ combination cam lock + \$50.00

Simplex Pushbutton Combination + \$240.00

Key hooks

100 + \$40.00

150 + \$80.00

200 + \$120.00

Podium Cover + \$39.95

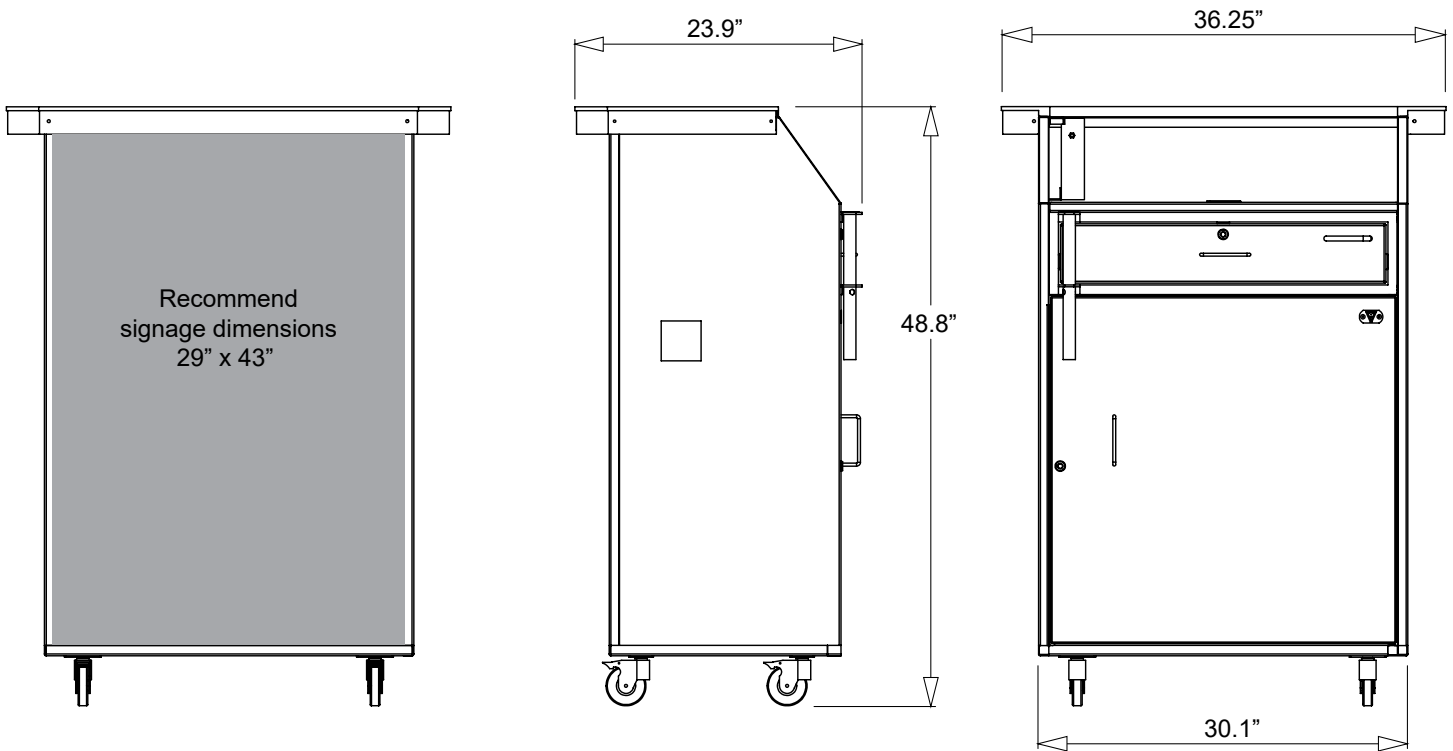
Heavy Duty Casters + \$20.00

Long Shelf + \$30.00

Valet Umbrella + \$169.95 | Valet Flap Umbrella + \$189.95

Optional LEDs + \$299.00





**TOTAL COST
 BEFORE DELIVERY**

\$869.95 (basic options)